

Data Sheet - Point of Sale (PoS) Motors

Point of Sale (PoS) Motors

Our range of mains and battery powered movements are a perfect way to encourage interest for short term brand promotion, new product launches and exhibitions. Easily applicable to a range of displays no eye will be left un-caught when such a range of motion is available including oscillating, up and down and pendulum movements. Our range of motors includes a wide variety of sizes and speeds.

Battery Powered Motors

Our range of mains and battery powered movements are a perfect way to encourage interest for short term brand promotion, new product launches and exhibitions. Easily applicable to a range of displays no eye will be left un-caught when such a range of motion is available including oscillating, up and down and pendulum movements. Our range of motors includes a wide variety of sizes and speeds.



Battery Life

Battery life varies depending on the battery type, battery quality and the turntable load, etc.



Battery Powered Motor Specifications

Product Code	Product Description	Slip Rings	Speed (RPM)	Unit Dimensions			Max Display Properties			Battery Type
				Diameter (mm)	Height (mm)	Weight (kg)	Diameter (mm)	Height (mm)	Capacity (kg)	
D-003-BM02.5	Battery Motor 2.5RPM - With Battery Holder	No	2.5	125	60	0.250	100	100	1	D
D-003-BM05.5	Battery Motor 5.5RPM - With Battery Holder	No	5.5	125	60	0.250	100	100	1	
D-003-BM09	Battery Motor 9RPM - With Battery Holder	No	9	150	58	0.300	100	100	1	
D-003-BM20	Battery Motor 20RPM - With Battery Holder	No	20	150	63	0.250	100	100	1	
D-003-BM30	Battery Motor 30RPM - With Battery Holder	No	30	150	63	0.250	100	100	1	
D-003-BMPF65	Plastic Flange 65mmOD, 5mmID - For Battery Motor Range	No	N/A	65	10	0.020	N/A	100	N/A	N/A

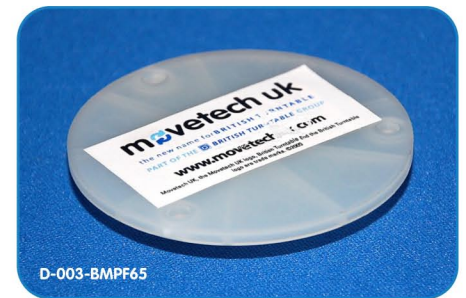


Mains Powered Motors

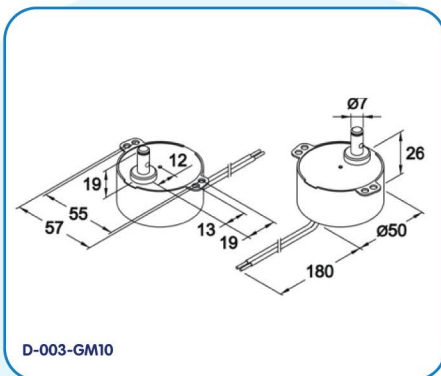
Our synchronous geared motor range is a versatile mains powered movement available in a range of speeds which may be installed horizontally or vertically to provide eye catching movement to any display, promotion or animation.

The 65mm diameter rotating mounting flange (D-003-BMPF65) enables displays up to 1Kgs to be accommodated using double sided sticky pads. Therefore enabling displays such as promotions to be created easily and quickly.

For cost effective movement the general motor range provides a silent and reliable solution to many applications which would otherwise be un-noticed if static.



D-003-BMPF65



D-003-GM10



D-003-GM10



D-003-GM10

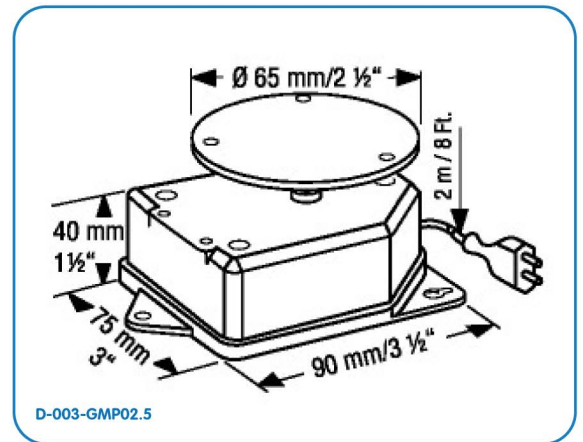
Motor Specifications

Product Code	Product Description	Slip Rings	Speed (RPM)	Unit Dimensions			Max Display Properties		
				Diameter (mm)	Height (mm)	Weight (kg)	Diameter (mm)	Height (mm)	Capacity (kg)
D-003-GM02.5	Motor 2.5RPM	No	2.5	48	28	0.150	100	100	1.00
D-003-GM05	Motor 5RPM	No	5	48	28	0.150	100	100	1.00
D-003-GM10	Motor 10RPM	No	10	48	28	0.150	100	100	1.00
D-003-GM20	Motor 20RPM	No	20	48	28	0.150	100	100	1.00
D-003-GM30	Motor 30RPM	No	30	48	28	0.150	100	100	1.00



Mains Powered Motors

Our range of mains powered movements are a perfect way to encourage interest for short term brand promotion, new product launches and exhibitions. Easily applicable to a range of displays no eye will be left un-caught when such a range of motion is available including oscillating, up and down and pendulum movements. Our range of motors includes a wide variety of sizes and speeds.

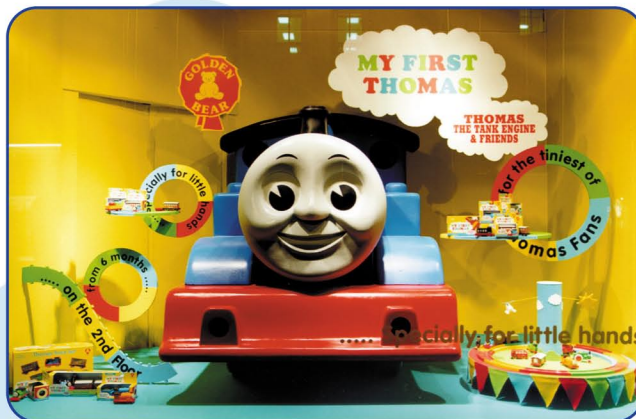


Motor Specifications

Product Code	Product Description	Slip Rings	Speed (RPM)	Unit Dimensions			Max Display Properties		
				Diameter (mm)	Height (mm)	Weight (kg)	Diameter (mm)	Height (mm)	Capacity (kg)
D-003-GMP02.5	Standard Motor - With 65mm Flange 2.5RPM	No	2.5	100x75	60	0.350	100	100	1.00
D-003-GMP05	Standard Motor - With 65mm Flange 5RPM	No	5	100x75	60	0.350	100	100	1.00
D-003-GMP10	Standard Motor - With 65mm Flange 10RPM	No	10	100x75	60	0.350	100	100	1.00
D-003-GMP20	Standard Motor - With 65mm Flange 20RPM	No	20	100x75	60	0.350	100	100	1.00
D-003-GMP30	Standard Motor - With 65mm Flange 30RPM	No	30	100x75	60	0.350	100	100	1.00

Can't find what you are looking for?

Movetech UK's range extends to smaller battery and solar powered movement as well as much larger units. The product portfolio includes off-the-shelf revolving stages from 1m up to 33m in diameter, and Movetech UK also offers a bespoke design and build service to cater for all customers needs.



In addition, an economical rental service is available. To discuss your requirements or for further information please contact Movetech UK - 01204 525626 - info@movetechuk.com - www.movetechuk.com